

FIXTURE SPECIFICATIONS

INTENDED USE

The specification grade Alcon Lighting Reginald Architectural LED Post Top Light Fixture is designed to work in building perimeter areas and public spaces to compliment a wide variety of architectural styles. LED Area Lights provide high light efficiency with varying light distributions. Outdoor Post Lights create a nostalgic atmosphere and are best applied in parking lots, plazas, shopping malls, gardens, roadways, and areas with pedestrian activity.

FEATURES

Construction: Aluminum Heat Sink Radiation, Stainless Steel Housing. Fully gasketed housing. Stretched Aluminum Sleeve, 2-3/8" (60mm) or 3" (76mm) Diameter Pole.
Pole Not Included, Supplied by Others.

Voltage: 120-277V is Standard

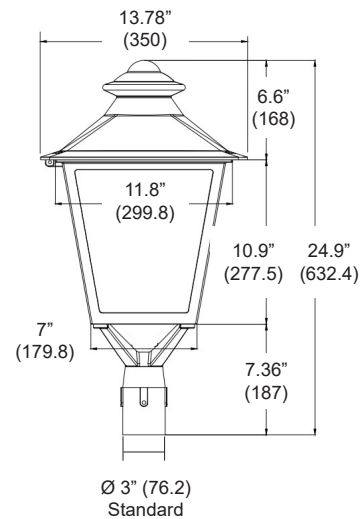
Finish: Black

CRI: >70

Beam Spread: 120° Distribution

Warranty: 5 Years Carefree for Parts & Components
(Labor Not Included)

Listing: cETLus Listed, IP65



ORDERING INFORMATION Example: (11409-30-CTS)

Model	Wattage Lumens	Color Temperature	Pole	Dimming	Options
11409	30 30 Watts 3000 lm	CTS¹ 30K/40K/50K	Blank Not Required 10R 10' H 3" D Round 15R 15' H 3.5" D Round 20S 20' H 4" D Square	(Blank)^{Standard} Non-Dimming 010 0-10V Dimming	PC 3-Pin Receptacle and Twist Lock Photocell Installed SC Shorting Cap BG Bird Guard, Stainless Steel Spikes
	60 60 Watts 5400 lm				
	120 120 Watts 12000 lm	40K² 4000K 50K² 5000K			

¹ Color Temperature Switching only available for 30 and 60 watt options
² Only available for 120 watt option